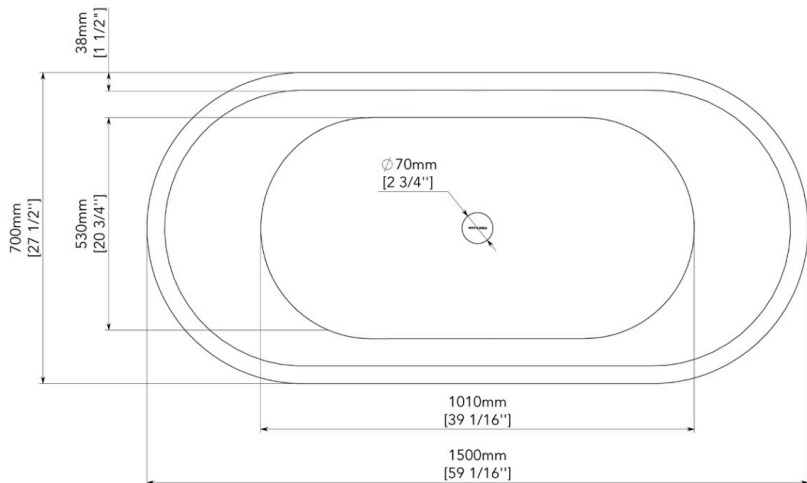
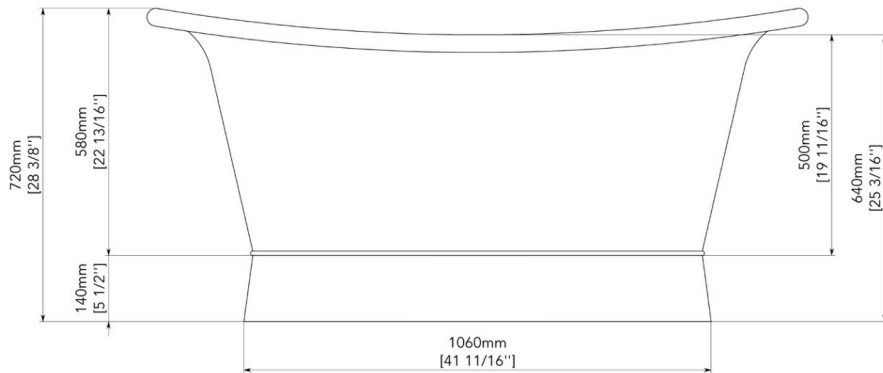


# HERITAGE HARDWARE



**Sales Code:** Kensington Bath AC-AC-15

**Description:** Antique Copper Bath

## Product Dimensions

Length (mm): 1500  
Width (mm): 700  
Height (mm): 720  
Nett Weight (kg): 40.5≈

## Packaging Dimensions

### Corrugated Box/Wooden Box

Length (mm): 1610  
Width (mm): 800  
Height (mm): 910  
Gross Weight (kg): 65/90≈

## Product Details

Product Material: Pure Copper  
Volume (Ltr): 180  
Waste Included: No  
Material Thickness: 16 Gauge  
Code: KB-AC-AC-15

[Sales@heritagehardware.co.uk](mailto:Sales@heritagehardware.co.uk)

[www.heritagehardware.co.uk](http://www.heritagehardware.co.uk)