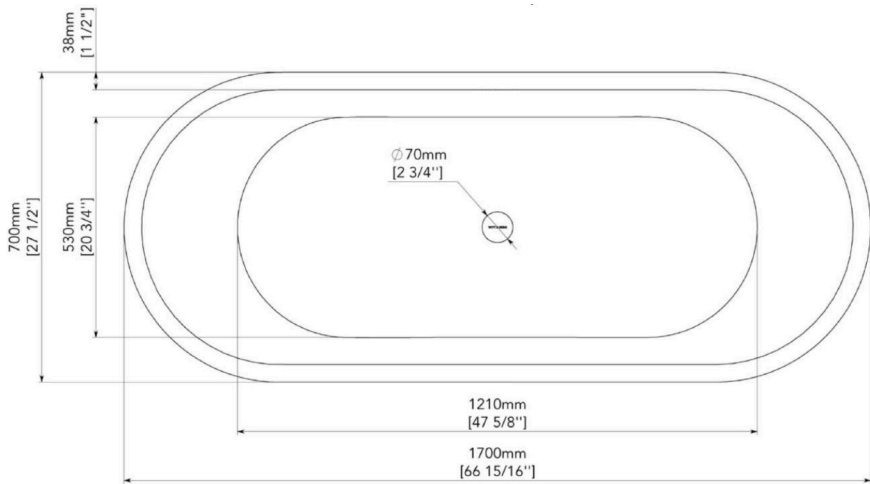
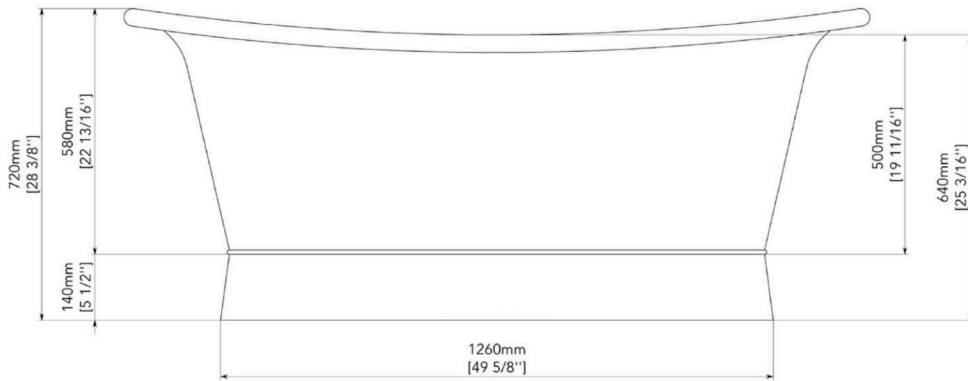


HERITAGE HARDWARE



Sales Code: Kensington Bath BC-PC-17

Description: Charcoal & Polished Copper Bath

Product Dimensions

Length (mm): 1700
Width (mm): 700
Height (mm): 720
Nett Weight (kg): 45.5≈

Packaging Dimensions

Corrugated Box/Wooden Box

Length (mm): 1810
Width (mm): 800
Height (mm): 910
Gross Weight (kg): 75/102≈

Product Details

Product Material: Pure Copper
Volume (Ltr): 250
Waste Included: No
Material Thickness: 16 Gauge
Code: KB-BC-PC-17

Sales@heritagehardware.co.uk

www.heritagehardware.co.uk