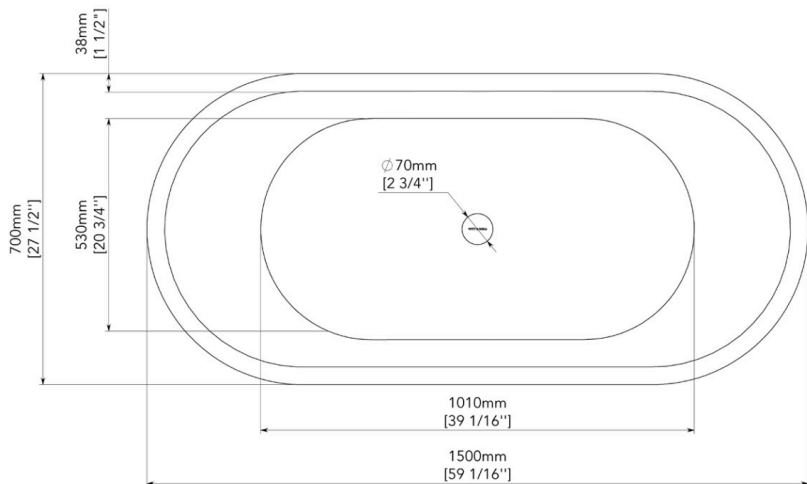
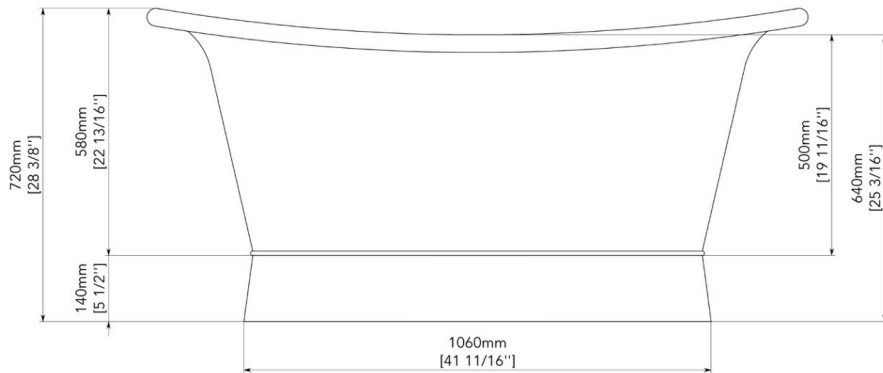


HERITAGE HARDWARE



Sales Code: Kensington Bath PB-PN-15

Description: Polished Brass & Polished Nickel Bath

Product Dimensions

Length (mm): 1500
Width (mm): 700
Height (mm): 720
Nett Weight (kg): 40.5≈

Packaging Dimensions

Corrugated Box/Wooden Box

Length (mm): 1610
Width (mm): 800
Height (mm): 910
Gross Weight (kg): 65/90≈

Product Details

Product Material: Pure Brass
Volume (Ltr): 180
Waste Included: No
Material Thickness: 16 Gauge
Code: KB-PB-PN-15

Sales@heritagehardware.co.uk

www.heritagehardware.co.uk