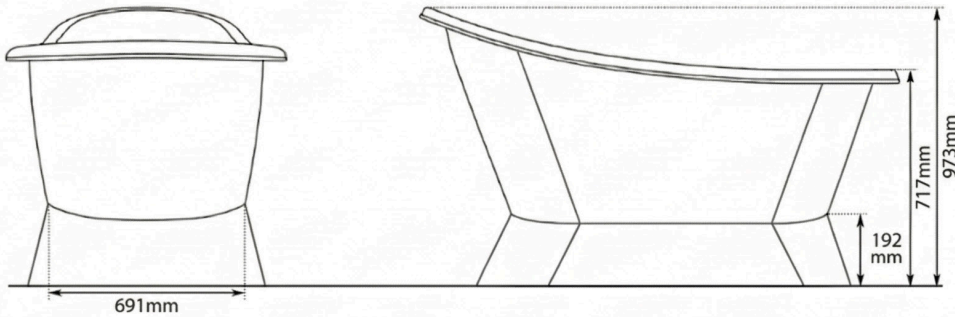
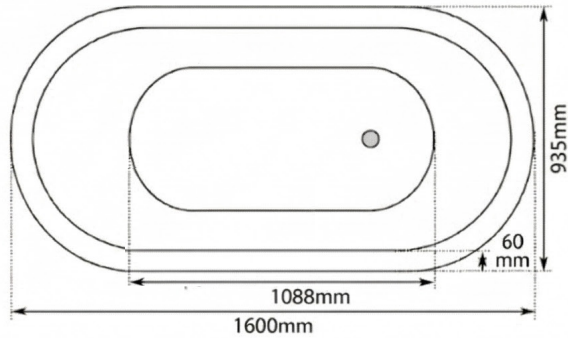


HERITAGE HARDWARE



Sales Code: Lancaster Bath PC-PN

Description: Polished Copper & Polished Nickel Pedestal Bath

Product Dimensions

Length (mm): 1600
Width (mm): 935
Height (mm): 937
Nett Weight (kg): 48.5≈

Packaging Dimensions

Corrugated Box/Wooden Box

Length (mm): 1720
Width (mm): 1050
Height (mm): 1050
Gross Weight (kg): 65/95≈

Product Details

Product Material: Pure Copper
Volume (Ltr): 250
Waste Included: No
Material Thickness: 16 Gauge
Code: LB-PC-PN

Sales@heritagehardware.co.uk

www.heritagehardware.co.uk