

# HERITAGE HARDWARE



**Sales Code:** Lancaster Bath PN-PN

**Description:** Polished Nickel Pedestal Bath

---

## Product Dimensions

Length (mm): 1600  
Width (mm): 935  
Height (mm): 937  
Nett Weight (kg): 48.5≈

---

## Packaging Dimensions

### Corrugated Box/Wooden Box

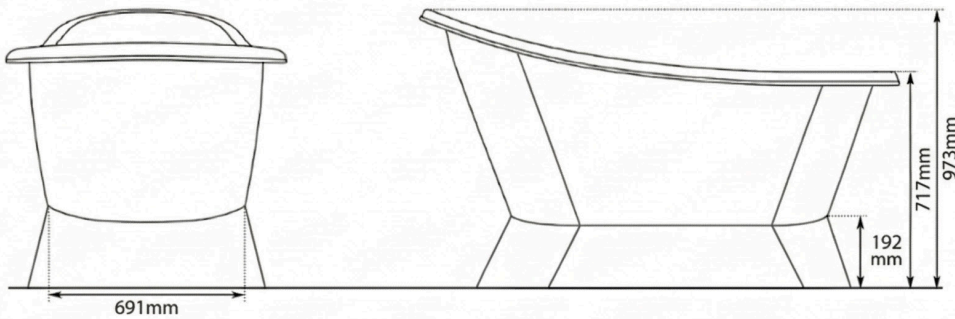
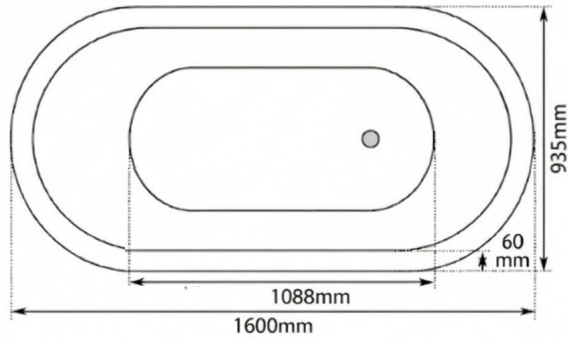
Length (mm): 1720  
Width (mm): 1050  
Height (mm): 1050  
Gross Weight (kg): 65/95≈

---

## Product Details

Product Material: Pure Copper  
Volume (Ltr): 250  
Waste Included: No  
Material Thickness: 16 Gauge  
Code: LB-PN-PN

---



[Sales@heritagehardware.co.uk](mailto:Sales@heritagehardware.co.uk)

[www.heritagehardware.co.uk](http://www.heritagehardware.co.uk)