

HERITAGE HARDWARE



Sales Code: Windsor Bath BC-PC-1829

Description: Black Charcoal & Polished Copper Pedestal Bath

Product Dimensions

Length (mm): 1829
 Width (mm): 813
 Height (mm): 787
 Nett Weight (kg): 54.5≈

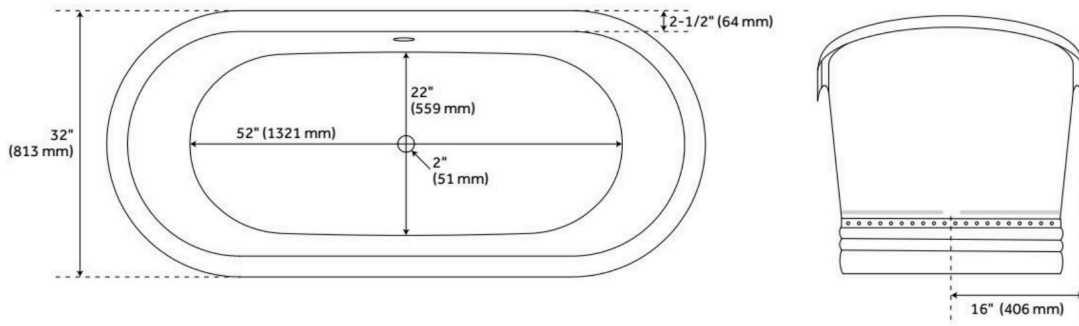
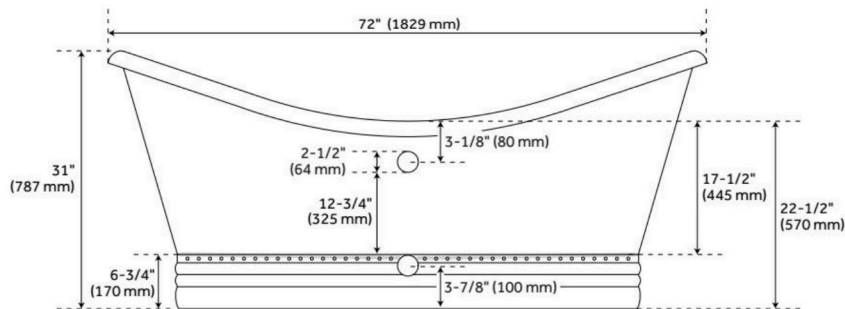
Packaging Dimensions

Corrugated Box/Wooden Box

Length (mm): 1940
 Width (mm): 920
 Height (mm): 1090
 Gross Weight (kg): 75/120≈

Product Details

Product Material: Pure Copper
 Volume (Ltr): 250
 Waste Included: No
 Material Thickness: 16 Gauge
 Code: WB-BC-PC-1829



Sales@heritagehardware.co.uk

www.heritagehardware.co.uk