

# HERITAGE HARDWARE



**Sales Code:**

Windsor Bath H-AC-PN-1829

**Description:**

Hammered Antique Copper & Polished Nickel Pedestal Bath

## Product Dimensions

Length (mm):	1829
Width (mm):	813
Height (mm):	787
Nett Weight (kg):	54.5≈

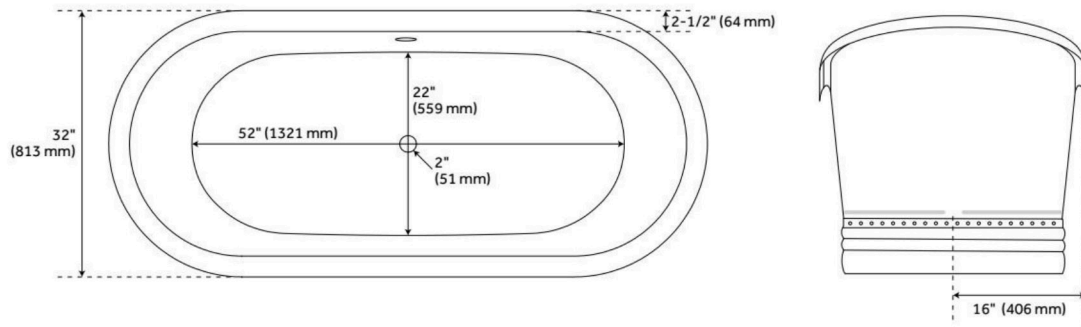
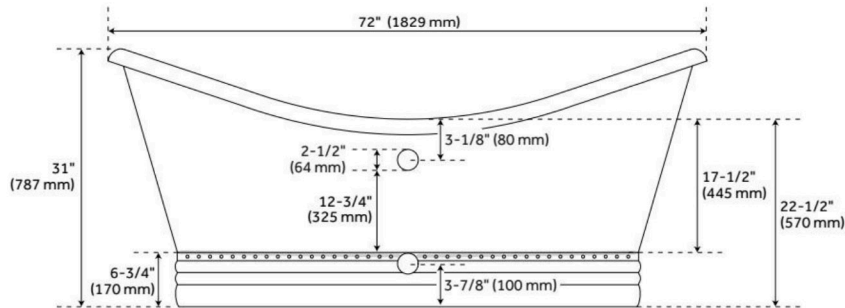
## Packaging Dimensions

### Corrugated Box/Wooden Box

Length (mm):	1940
Width (mm):	920
Height (mm):	1090
Gross Weight (kg):	75/120≈

## Product Details

Product Material:	Pure Copper
Volume (Ltr):	250
Waste Included:	No
Material Thickness:	16 Gauge
Code:	WB-H-AC-PN-1829



[Sales@heritagehardware.co.uk](mailto:Sales@heritagehardware.co.uk)

[www.heritagehardware.co.uk](http://www.heritagehardware.co.uk)