

# HERITAGE HARDWARE



**Sales Code:** Windsor Bath PN-PN-1829

**Description:** Polished Nickel Pedestal Bath

## Product Dimensions

Length (mm): 1829  
Width (mm): 813  
Height (mm): 787  
Nett Weight (kg): 54.5≈

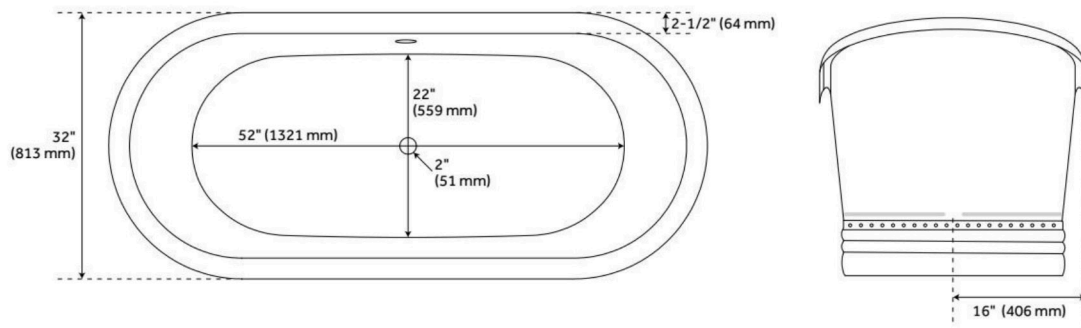
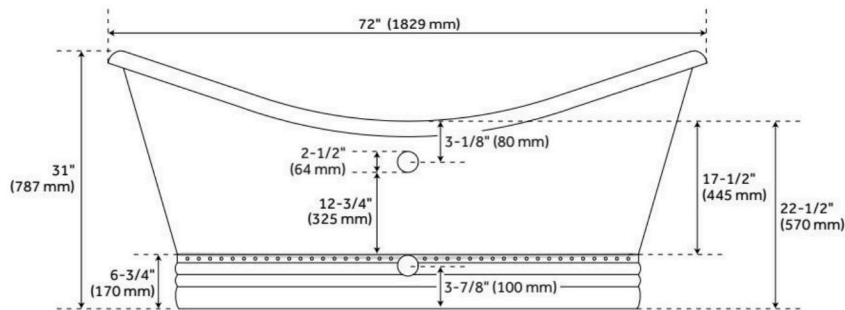
## Packaging Dimensions

### Corrugated Box/Wooden Box

Length (mm): 1940  
Width (mm): 920  
Height (mm): 1090  
Gross Weight (kg): 75/120≈

## Product Details

Product Material: Pure Copper  
Volume (Ltr): 250  
Waste Included: No  
Material Thickness: 16 Gauge  
Code: WB-PN-PN-1829



[Sales@heritagehardware.co.uk](mailto:Sales@heritagehardware.co.uk)

[www.heritagehardware.co.uk](http://www.heritagehardware.co.uk)