

HERITAGE HARDWARE



Sales Code: Windsor Bath WE-PC-1829

Description: Polished Nickel Pedestal Bath

Product Dimensions

Length (mm): 1829
Width (mm): 813
Height (mm): 787
Nett Weight (kg): 54.5≈

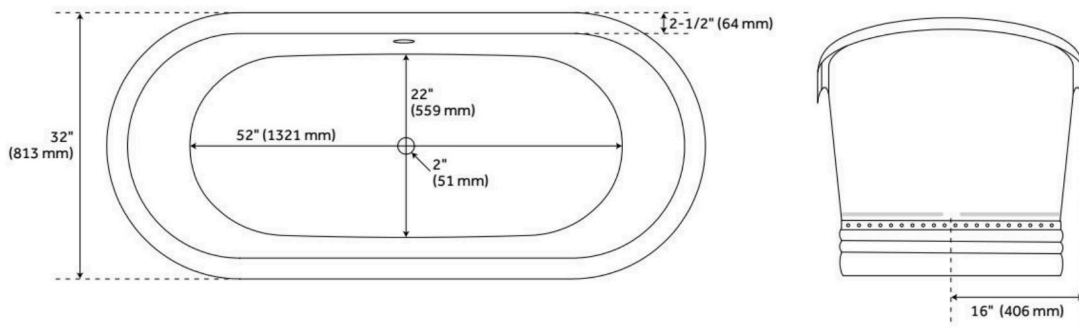
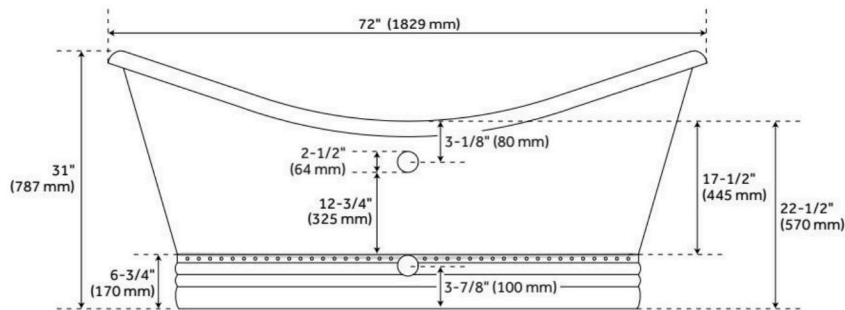
Packaging Dimensions

Corrugated Box/Wooden Box

Length (mm): 1940
Width (mm): 920
Height (mm): 1090
Gross Weight (kg): 75/120≈

Product Details

Product Material: Pure Copper
Volume (Ltr): 250
Waste Included: No
Material Thickness: 16 Gauge
Code: WB-WE-PC-1829



Sales@heritagehardware.co.uk

www.heritagehardware.co.uk